

USER'S MANUAL



Model: BC-CMY200
200W Led Moving Head Light

Package Includes:

- 1 x led moving head light
- 1 x clamp、 bracket、 screw
- 1 x safe cable
- 1 x power cable
- 1 x DMX cable

Please read this manual before use

● product features

- ◆ Light source: 200W LED white light module maximum power: 290W
- ◆ Power supply: wide voltage input switching power supply 100V-240V 50-60Hz
- ◆ Color temperature: 7500K
- ◆ Lamp life: 50000 hours
- ◆ Angle of light spot: 7-21 degrees
- ◆ Control mode: 18 channels, DMX512 signal input, voice control, automatic operation.
- ◆ X/Y scan: 540 degrees, vertical: 270 degrees
- ◆ Color: 9 color plates + white light, rainbow effect, can be positioned arbitrarily.
- ◆ Pattern: 7 pluggable pattern, pattern rotation, pattern water effect fixed pattern: 10 fixed pattern + white light, with jitter, positive and negative water effect dimming: 0-100 linear dimming
- ◆ Stroboscopic: 0-25ZH/S per second, synchronous pulse stroboscopic, random pulse stroboscopic effect plate: 4 prism, with positive and negative rotation effect.
- ◆ Display: LCD display, Chinese and English display, reverse display
- ◆ product size: 343*232*537MM
- ◆ Package size: 57x45x44MM net weight: 15KG
- ◆ Gross weight: 18KG

● Safety instructions

- ◆ If the product has been exposed to an extremely unstable temperature (such as after transportation), please do not immediately attach the power to the product, because the water droplets produced by the temperature change may damage the product. Please use it after the product is restored to normal temperature.
- ◆ This product can be used in 90-260V voltage range and is used for indoor products. Please make sure that the voltage is not higher than the product's acceptable range!! Power plug must be inserted into I socket with good protection. Green or tea green conductors must be grounded.
- ◆ Please check the power supply line of this product. Ensure that the power cord is not folded or damaged, and does not connect to other lines. Special attention should be paid when connecting power lines or related wiring. Always remove the power before using the product or before cleaning.
- ◆ Before you use the product, please familiarize yourself with the operation function of the product. Please do not expose children or unprofessional people to products.
- ◆ Please don't shake this product. Do not use brute force when installing or operating products. Do not let non professionals operate the product. Most of the damage is caused by unprofessional operation.
- ◆ The products are not equipped with relevant maintenance accessories. The maintenance and repair of products can only be done by professionals. Please do not alter the product without authorization, otherwise it may damage the product, so the damage caused is not within the scope of warranty. Moreover, unprofessional operation may lead to short circuit, burn or electric shock, and so on.

● Operation description

This product is a headlamp dyed beam lamp, which is used to create the beam effect.

- ◆ If the product is subjected to a large temperature difference (for example, after transportation), do not start the product immediately, because the shrink of the heat account will damage the product. Please wait until the equipment reaches normal room temperature before starting the product.
- ◆ Take care of the shock. Avoid strong collisions during the installation of the product.
- ◆ Please do not lift the entire product through the lamp holder, because the mechanical properties of the device may be damaged.
- ◆ Make sure that the product is not exposed to overheating, too wet or dusty areas when selecting the installation site. Please do not put any wires on the ground, otherwise you may suffer the danger of electric shock.
- ◆ Before installing the product, please ensure that the installation point is safe
- ◆ Please attach the safety rope to the product and check if all the screws are correct during installation.
- ◆ Please make sure that the lens is in good condition. Replace lens when lens is damaged or scratched.
- ◆ It is recommended that the technical personnel who are familiar with this product operate the product. It is forbidden for non-technical personnel to operate this equipment, because many losses are caused by unprofessional operation.
- ◆ Please keep the packing materials properly for two transport.
- ◆ Any equipment failure caused by the operation of the equipment without the instructions specified is not covered by the warranty. And any accidents caused by short circuit, injury, electric shock, ultraviolet radiation, and explosion of light bulbs caused by this are not covered by the warranty.

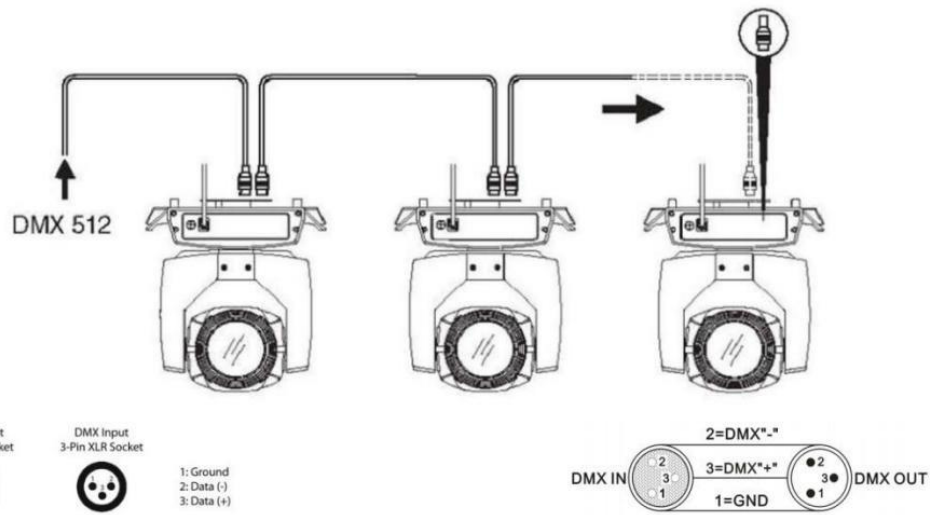
● Product hanging and installation

Note: for safety reasons, please install this product in the area far away from the aisle, seating area, or manually accessible area.

- ◆ Before hanging this product, make sure that the installation point can bear 10 times the weight of the product. Product installation must have double protective devices, such as safety rope.
- ◆ When hanging, dismantling or repairing this product, it is forbidden to stand under the installation point.

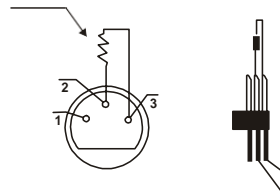
DMX-512 Control connection

Plug the XLR signal line of the product into the signal output port of the controller, and the female head is inserted into the signal input port on the rear panel of the product. You can talk about multiple products in series, the signal line needs three cores, shielded, with XLR input and output header. Please refer to the following picture.



- ◆ DMX-512 connection requires a terminal (loop connection)
- ◆ In the installation process, if the distance of the signal line is long, or in the noisy environment, such as the song and dance hall, the DMX terminal (loop connection) is recommended. This avoids the turbidity of digital control signals caused by electrical noise.
- ◆ The DMX terminal is composed of a simple XLR connector 2 core and a 3 core connected to a 120 ohm resistor. Please insert the terminal into the XLR of the last product.

For the output port, please refer to the following picture



● Channel table (18 channel mode)

Channel	Function	DMX Value	Function
1	Pan	0-255	Pan 0-540 degrees
2	Pan Fine	0-255	Pan 16-bit
3	Tilt	0-255	Tilt 0-240 degrees
4	Tilt Fine	0-255	Tilt 16-bit
5	Pan/Tilt Speed	0-255	Fast to slow
6	Dimmer	0-255	Dark to bright
7	Strobe	0-3	Lamp on
		4-99	Sync strobe
		100-149	Split strobe

		150-199	Burst pulse
		200-249	Random strobe
		250-255	Lamp on
8	Color Wheel	0-19	Red linear
		20-39	Yellow linear
		40-59	Blue linear
		60-79	Green linear
		80-99	Magenta linear
		100-119	Orange linear
		120-139	Light blue linear
		140-159	Light green linear
		160-179	Pink linear
		180-199	White linear
		200-226	Clockwise color flow, fast to slow
		227-228	Stop
		229-255	Counterclockwise color flow, slow to fast
		9	Fixed Gobo Wheel
5-54	10 fixed gobos, each per 5 values		
55-154	10 fixed gobos shake, fast to slow, each per 10 values		
155-204	Clockwise gobo flow, fast to slow		
205-205	Stop		
206-255	Counterclockwise color flow, slow to fast		
10	Rotating Gobo Wheel	0-79	7 rotating gobos + open, each per 10 values
		80-159	7 rotating gobos + open shake, fast to slow, each per 10 values
		160-206	Clockwise gobo flow, fast to slow
		207-208	Stop
		209-255	Clockwise gobo flow, fast to slow
11	Gobo Rotation	0-127	Gobo rotation 0-360 degrees
		128-191	Clockwise gobo flow, fast to slow

		192-193	Stop
		194-255	Clockwise gobo flow, fast to slow
12	Prism Insert	0-127	Prism out
		128-255	Prism in
13	Prism Rotation	0-127	Prism rotation 90 degrees
		128-190	Clockwise gobo flow, fast to slow
		191-192	Stop
		193-255	Clockwise gobo flow, fast to slow
14	Frost	0-127	Frost out
		128-255	Frost in
15	Focus	0-255	0-100% linear focus
16	Zoom	0-255	0-100% linear zoom
17	Macro	0-50	No function
		51-100	Self-test
		101-150	Auto program 1
		151-200	Auto program 2
		201-255	Sound control
18	Reset	0-250	Invalid
		251-255	Reset (hold for 5 seconds)

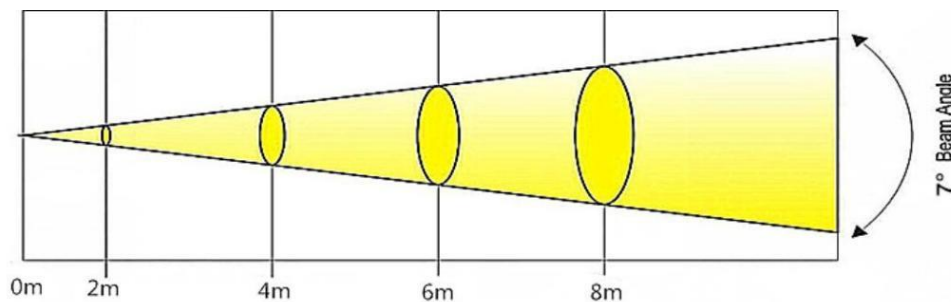
● Menu Operation

No.	Menu	Concrete explanation
1	DMX address code	001-512

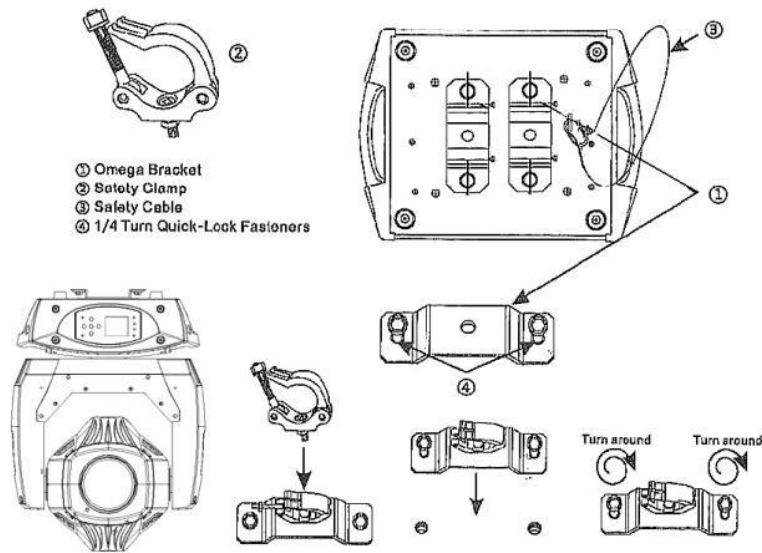
2	System setup	Operation mode (DMX, sound control, self walk 1, self walk 2, self 3) Local number: 000-255 channel mode (18 channel) Horizontal inversion (open, close), vertical inversion (open, close). Horizontal vertical exchange (open and close), motor position error correction (on / off), screen protection (on / off) No signal (keep, clear) language (English, Chinese) Restore factory settings
3	Manual mode	Empty
4	calibration	Empty
5	System test	Empty
6	System information	None

● Photometric data

Lumen data at 7 degrees of beam angle
 25200 lumen @4 m 11600 lumen @6 m 6500 lumen @8 M



Lumen data at 21 degrees of beam angle
 3260 lumen @4 m 1530 lumen @6 m 860 lumen @8 M

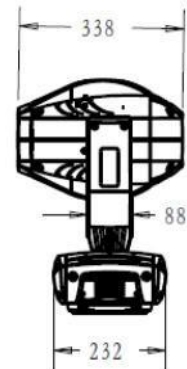
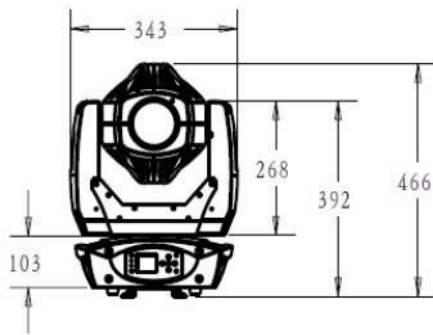
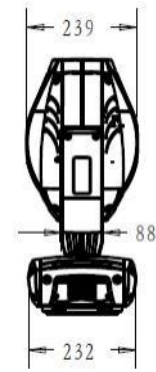
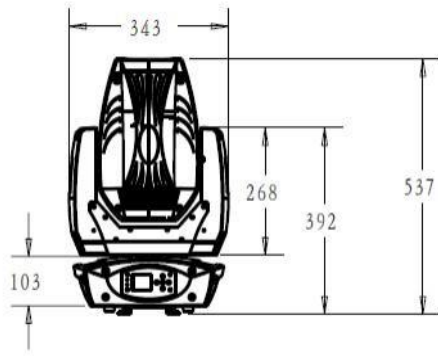


● Maintenance

- ◆ Please keep the light in dryness and avoiding use in wet place.
- ◆ Using intermittently can be extended the life.
- ◆ Attention to clean the fan and lens usually in order to get the ventilating effects and lighting effects better.
- ◆ Please do not wipe the crust using organic menstrum avoiding to damage the product.

● Statement

The product has well capability and intact packing when leave factory. All of the user should comply with above warning item and manual, any misuse cause of the damages are not included in our guarantee, and also can't be responsible for any malfunction & problem owing to ignore the manual. Please forgive that we will not be notice for technical change.



ShenZhen BECEN Stage Equipment Co., Ltd

Add: Room 501,5th floor,Yishenrong industrial park,Xihuan road,
ShaJing,BaoAn,Shenzhen,GuangDong,China

Website: www.szbecen.com

www.becenstage.com

Tel: 86-13410588234

Email: sales01@szbecen.com

sales02@szbecen.com



Scan it to get more info.